

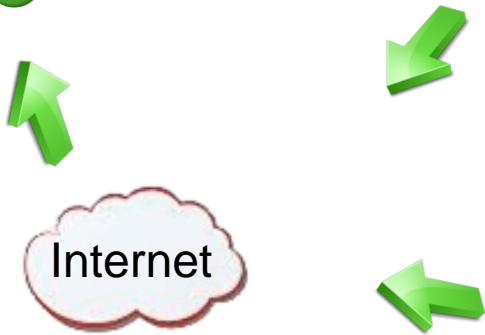
Reading Energy values and error messages from different converters and string boxes via RS485 and sending them via an ethernet network or GPRS to the remote SQL server.



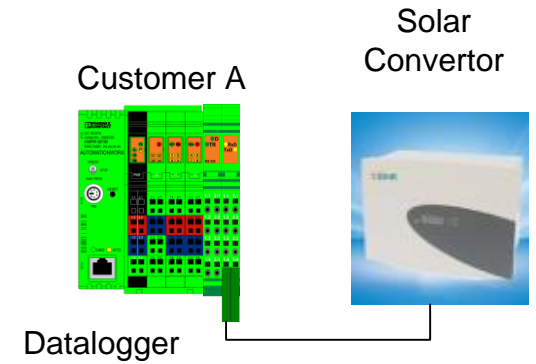
Microsoft **SQLServer**



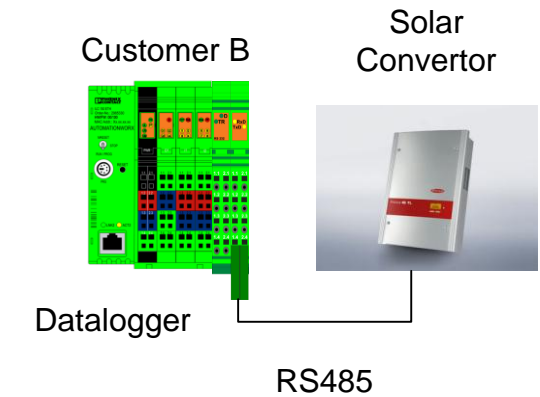
Centrale database



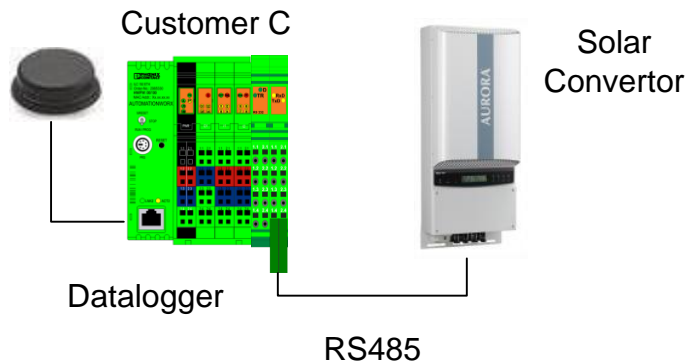
GPRS



Customer A  
Datalogger  
Solar Converter  
RS485



Customer B  
Datalogger  
Solar Converter  
RS485



Customer C  
Datalogger  
Solar Converter  
RS485



IT-Powered AUTOMATION



PHOENIX CONTACT NV/SA - Minervastraat 10-12 - B-1930 Zaventem-Keiberg II  
Tel. 0032/ 272/ 39811 - Fax 0032/ 272/ 53614 - www.phoenixcontact.be

Solar Logging on a central SQL database

	Creator Sven Lemmens	Firma / Project	Date
SCALE	1:1	SHEET	